



BOPTHTR60 Series

Palatial™ Collection

Discreet but powerful, the Palatial THTR66 remains out of sight but by no means out of mind. Co-engineered and designed by the founders of the in-wall speaker category, the BOPLCR66 creates a stunning array of sound for high performance home theater and audiophile listening alike.



BOPTHTR66

Tonearm™ Tweeter

Styled as the name suggests, this patented technology pins the tweeter at the center for increased stability, enabling the tweeter to play louder with wider dispersion.

Advanced Drivers

Designed for high performance home theater, the three way design delivers explosive performance with two dedicated bass woofers and a full LCR at center stage.

Compression Molded Baskets

These complex baskets that support the woofer cones were computer designed and compression molded with absolute precision allowing for unique support and venting elements to assure peak performance.

EQ Adjustment

These switches on the baffle allows the adjustment of the output of either the high frequencies or both high and low frequencies to custom tailor the sound.

Tool-less Mounting System

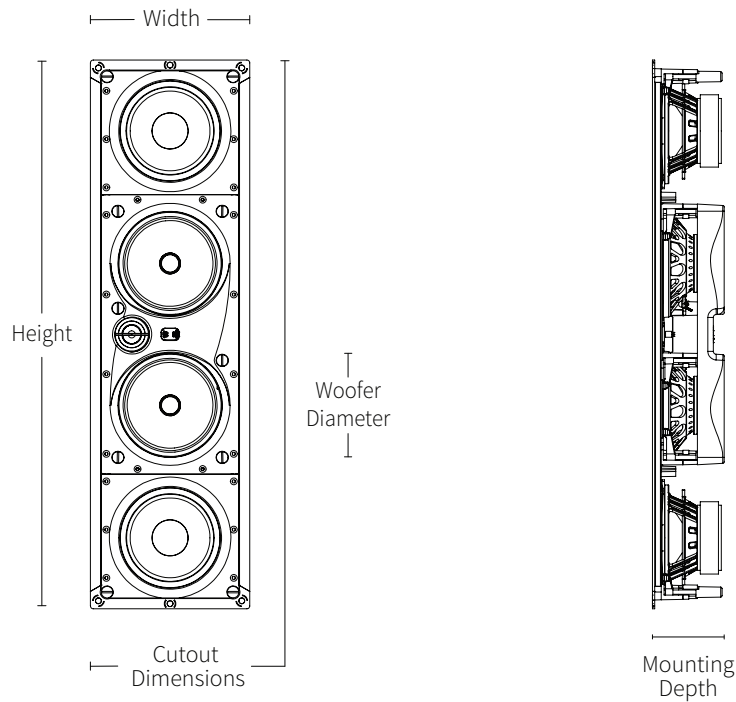
The SpringLock™ mounting legs are spring loaded and require only a twist with a thumbnail to have them snap easily and securely into place.

X-Wave™ Woofer Surround

This suspension element absorbs unwanted frequencies that reflect up and down the woofer cone to reduce harmonic distortion while maintaining the desired linear travel of the woofer.

Specifications

Model	BOPHTR66
Part Number	SWBOP30600
Woofer Cone	Glass Fiber
Woofer Dimensions	6.5" (165mm)
Tweeter Dome	Silk DPSD
Tweeter Diameter	1" (25mm)
Frequency Response	40 Hz - 20 kHz
Impedance	6 ohm Minimum
Power Handling	10 - 200 Watts
Dimensions	8.67 x 29.85" (220 x 758mm)
Grille Dimensions	9.11 x 30.29" (231 x 769mm)
Cutout Dimensions	7.875 x 29" (198 x 736mm)
Mounting Depth	3.78" (96mm)



*Not to Scale